

ABS submersible trash pump JS 84

Specification

Electric submersible pump.
 Maximum submergence: 65 ft. • Protection class IP 68.
 Max temperature of pumped medium at max power input and continuous duty 104°F.
 Max medium density 0.0397 Lbs/inch³.
 pH of the pumped medium 5-8.
 Strainer with free passage 1³/₄" x 2³/₁₆". • Max no. of starts 30/hour.
 Max impeller diameter requires half motor or more submersed for continuous duty. [Pump can operate lying down.]

JS 84 D/DKS* -160 3-phase.**
JS 84 D/DKS* -172 3-phase.

*option: built in float switch, excl. 575 V
 ** Impeller diameter for duty with low water level or intermittent duty dry running.

Electric Motor

3-phase squirrel-cage induction motor, 60 Hz.
 Service factor 1.1. Class F insulation.
 Dual voltage stator 230/460 V [single voltage contactor coil]
 Motor rating P₂: 12 Hp. Speed: 3400 rpm

Voltage, V	208	230/460	575
Nominal current, A	33	30/15	12

Starting method

D.O.L. start with built-in contactor.
 D.O.L. start with built-in SoftDrive (400-460V).
 When used with VFD, pump must be equipped with terminal block instead of contactor.

Power Cable

Heavy duty power cable for submersible pump applications.
 65 ft AWG 8/4 W (UL, CSA, MSHA), 208, 230, 460 V
 65 ft AWG 10/4 SOOW (UL, CSA, MSHA), 460 V
 65 ft AWG 12/4 SOOW (UL, CSA, MSHA), 575 V

Motor Protection

Built-in thermal switches in the stator windings (284°F, ±5), connected to built-in contactor.

Shaft Seal

Double mechanical seal in oil bath.
 Primary seal: Silicon carbide on silicon carbide.
 Secondary seal: Stainless steel on antimony treated carbon.

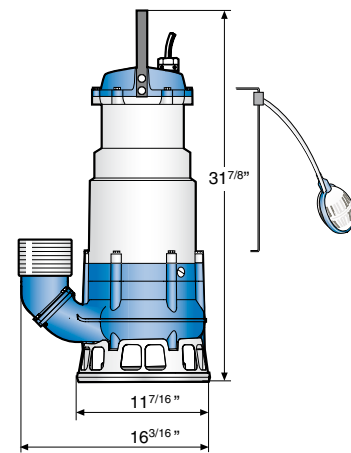
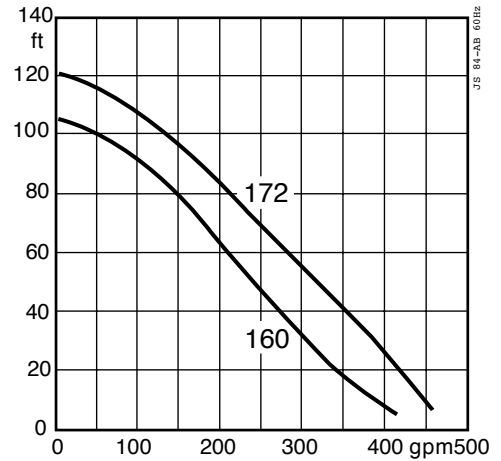
Bearings

Upper bearing: Single-row deep groove ball bearing.
 Lower bearing: Double angular contact ball bearing.

Materials

Materials		ASTM
Motor housing	Aluminium	ASTM A1Si10mg
Handle and fasteners	Stainless steel	AISI 304
Rotor shaft	Stainless steel	AISI 420
Volute and impeller	Nodular cast iron	ASTM A 536-80: 60-40-18
O-rings	Nitrile rubber	

US 60 Hz



Discharge Connections

3", 4" hose connections.
 3", 4" [standard] NPT threaded connections.

Weight (without cable)

148 lb

Options and Accessories

Zinc anodes • Surface protection coating
 Electronic motor supervision • Starter and control units
 Automatic level control unit • Floatation system • Repair kit
 Discharge connection accessories and hose.