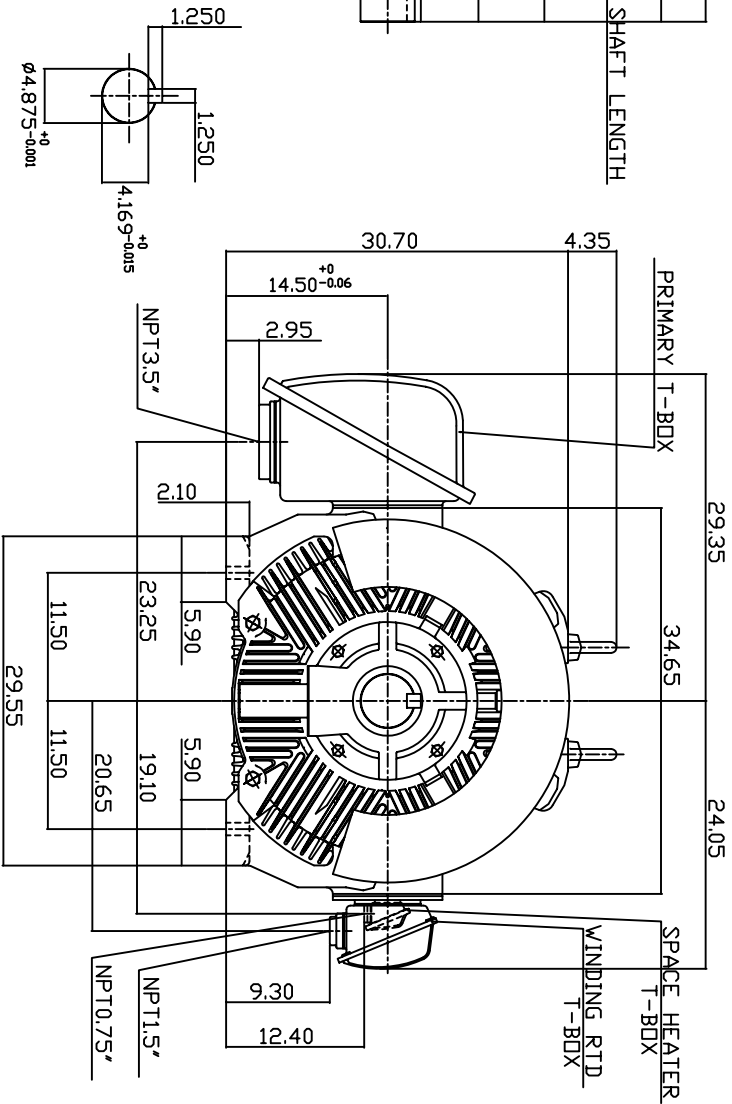
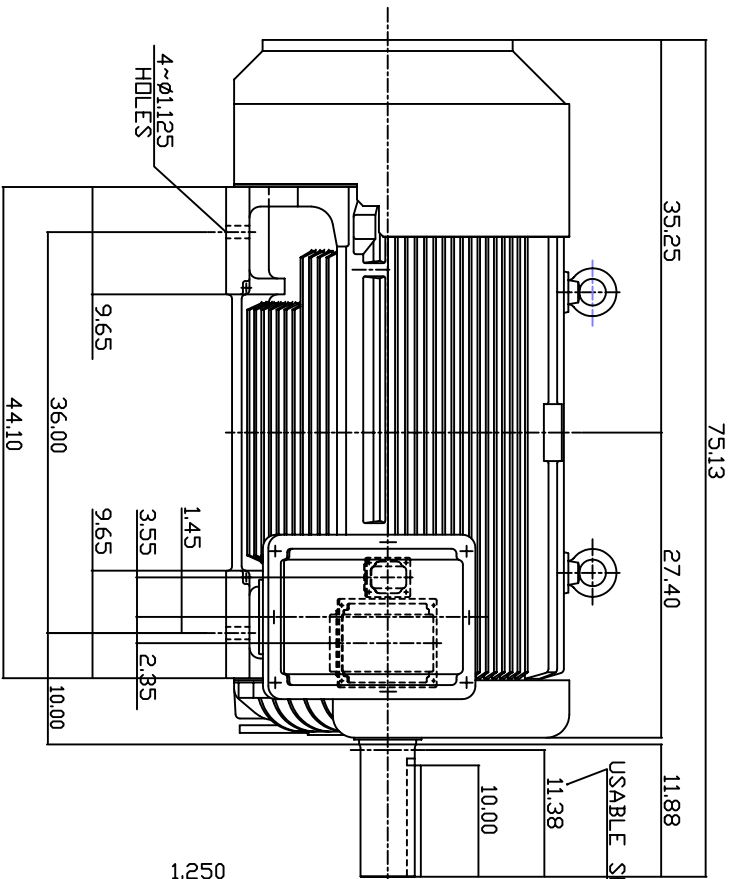


TYPE	OUTPUT		POLE	TIME RATING	VOLTAGE	HZ	SYN SPEED
	HP.	KW.					
AEHA	350	261	8	CONT.	2300/4160	60	900

TOTALLY ENCLOSED FAN-COOLED TYPE, SQUIRREL-CAGE ROTOR



NOTE: 1. DIMENSIONS IN INCH.

2. FRAME NO. 5810C
3. F CLASS INSULATION, SF115
4. FOR BELT DRIVE APPLICATIONS
5. WITH SPACE HEATER 120 VOLT SINGLE PHASE 300 WATTS
6. 100 DHM PLATINUM WINDING RTD'S 2/PHASE
7. BEARING SIZE: DRIVE END: NU326
NON-DRIVE END: 6322
8. MOTOR APPROX. WEIGHT: 5900 LBS

TW-66C

DWN.	W.LLIN	APR-17-2003
CHKD.	W.LLIN	APR-17-2003
APPD.	C.WANG	APR-17-2003

DATE	MAY 6, 2004	OUTLINE DIMENSIONS
CATALOG NO.	K3508R	3-PHASE INDUCTION MOTOR

TECO Westinghouse Dwg No. 3A040T3450 REV. 00